



LUXURY WATERPROOF CASE

INSTALLATION MANUAL

I - INTRODUCTION

Dear Installer:

Congratulations on purchasing the **GV** Luxury Waterproof Case.

Consult this manual before installing the protector and using the thermostat.

Although we try to provide the best manual possible, we are available to provide you with technical clarification. If you have any questions, please do not hesitate to contact us.

II - DIMENSIONS

External Dimensions - Img 1

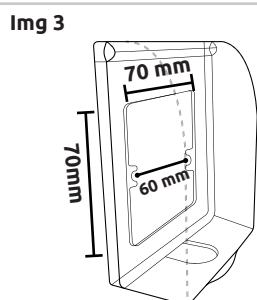
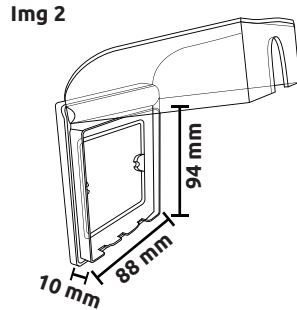
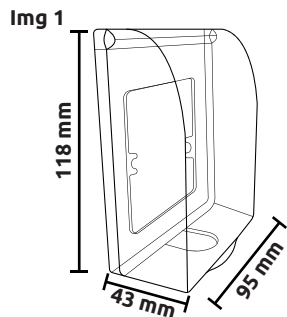
Width	95 mm
Height	118 mm
Depth	43 mm

Interior Dimensions - Img 2

Width	88 mm
Height	94 mm
Depth	10 mm

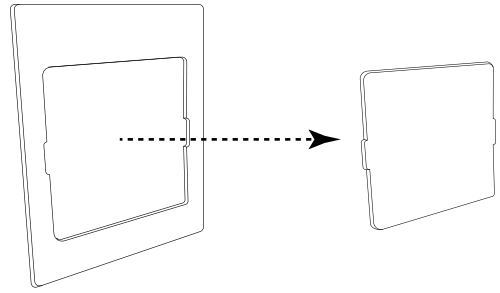
Hole Dimensions - Img 3

Width	70 mm
Height	70 mm
Distance between screws	60 mm

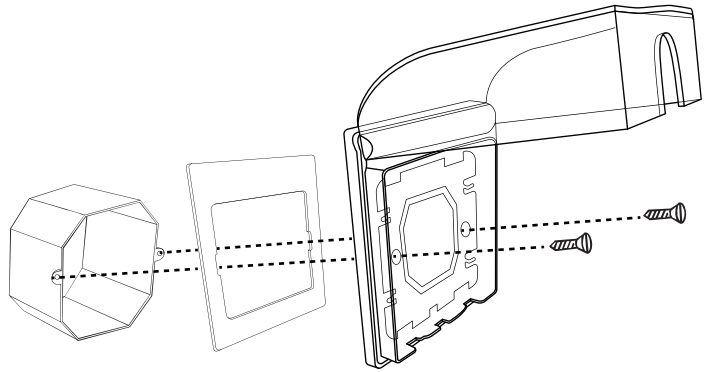


III - INSTALLATION

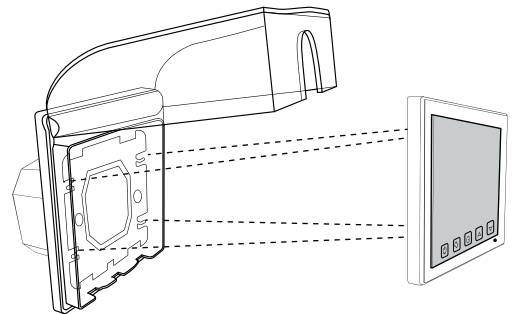
1 - Separate the protective sponge and remove the sponge center.



2 - Apply the sponge ring, the luxury waterproof case and the base of the thermostat in the electrician's deep box.



3 - Install the Thermostat Front



GLOBOVAC Ltd.

Address: Globovac Ltd, 8C Castle Road, Chelston Business Park, Wellington, Somerset TA21 9JQ, United Kingdom

Tel Export: +44 (0) 1293 768 210

Tel UK Costumers: +44 (0) 1293 772 165

Email: globvac@globovac.com

Web: www.globovac.com

