



THERMOSTAT S603R-PE PROGRAMMABLE DIGITAL - WHITE

USER MANUAL

I - INTRODUCTION

Dear User:

Congratulations on choosing a **GV** thermostat. Please refer to this user manual before installing/using the thermostat.

This thermostat is used to control the temperature of heating cables or heating mats for electric underfloor heating in a given room, whether in a domestic, commercial or industrial environment.

While we try to provide the best device possible, we are always available for technical support. If you have any questions, please contact us.

II - TECHNICAL PARAMETERS AND MAIN CHARACTERISTICS

Technical parameters	
Voltage	AC 230V, 50-60Hz
Amperage	16 A
Working environment	5°C ~99°C
Consumption	<0.3 W
Protection index	IP20
Programmable temperature	5°C e 35°C
Temperature control precision	0.5 °C
Main characteristics	
Programs	6 daily, 3 weekly
Probe reading options	3 (internal, external and both)
External dimensions	86mm x 86mm x 17mm
Material	PC + ABS
Screen background color	Blue
Memory in case of electrical failure	Time and Programs
Child lock	Yes
Installation	Wall-Inserted Type

III - CAUTIONS FOR INSTALLATION



ATTENTION!

When being installed, this thermostat may cause an electric shock. Make sure the installation is done by a qualified electrician.

1. Installation should only be done when the electric supply is off, otherwise it can damage the thermostat and cause an electric shock.
2. Choose the most suitable location for installing the thermostat (about 1,60m above the floor). It must not be installed at eye level.
3. Installation should not be made at altitudes higher than 2000m above sea level.

IV - INSTALLATION

1. Separate the thermostat from the display using a screwdriver to press the groove at the back of the thermostat and pushing the display upwards (fig.1).
2. Follow the wiring diagram (fig. 2) to connect the power, the heating cable and the floor probe.
3. Use the two screws provided to fix the outer ring and the thermostat base to the electrician's deep box previously installed (fig. 3) and make sure that it is properly installed.
4. Attach the display to the four projections on the mounting plate and push it downwards (never press the LCD display directly). The installation is complete. Turn on the power to test the thermostat.

Fig. 1 - Thermostat opening

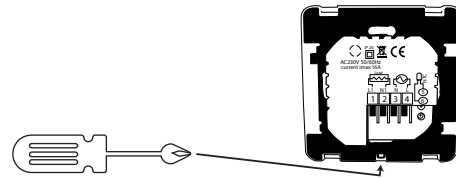


Fig. 2 - Wiring diagram

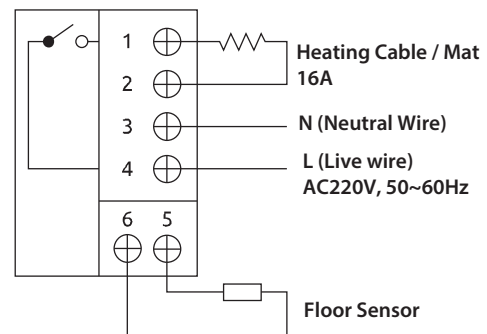
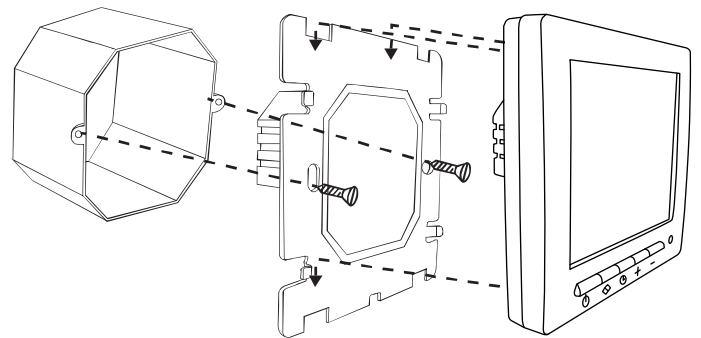
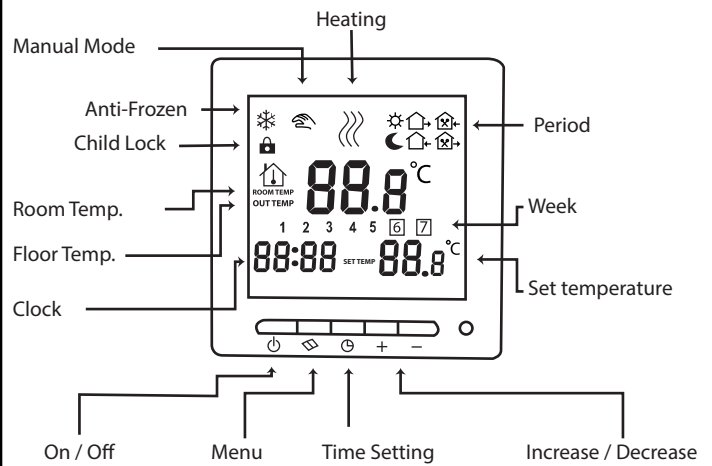


Fig. 3 - Thermostat Installation



V - THERMOSTAT INTERFACE



Button functions

	Turn On/Off
	Short press: Toggles between manual and automatic mode Long press: Enter programming settings
	Time and Day of the week settings
	Increases Value
	Decreases Value

VI - THERMOSTAT PROGRAMMING

» TURN ON/OFF

Press the button to turn on the thermostat.

Press the button again to turn off the thermostat and cut the power to the heating cable or network.

» SETTING THE TIME AND DAY OF THE WEEK

With the thermostat on, press the button . The Hour digits will blink. Use the + and - buttons to set the time.

Press the button again to move to the minutes and use the + and - buttons to set the minutes.

Finally press the button again and the day of the week will flash, with the number 1 representing Monday, 5 representing Friday, 6 representing Saturday and 7 representing Sunday.

» TOGGLE BETWEEN MANUAL AND AUTOMATIC MODE

With the thermostat on, press the button quickly to switch between manual and automatic mode. In manual mode you will see the symbol on the display and in automatic mode you will see the programming that is active ().

» SET TEMPERATURE IN MANUAL MODE

With the thermostat turned on in manual mode, use the + and - buttons to set the temperature.

The thermostat turns on when the temperature of the probe is lower than the one set at 1.5°C and the symbol appears on the screen. This symbol means that the cable or network is heating up. The thermostat switches off when the probe temperature is higher than the one set at 1°C.

» DAILY AND WEEKLY SCHEDULE

This thermostat supports 6 daily and 3 weekly programs (6 programs from Monday to Friday and two programs for Saturday and Sunday, or 6 programs from Monday to Saturday and two for Sunday or 6 programs from Monday to Sunday).

Period	Icon	Default Time	Default Temperature
Week	1	06:00	20 °C
	2	08:00	15 °C
	3	11:30	15 °C
	4	12:30	15 °C
	5	17:30	22 °C
	6	22:00	15 °C
Weekend	1	08:00	22 °C
	2	23:00	15 °C

Press the button for 5 seconds and you will see the days of the week (1 2 3 4 5), use the + and - buttons to select the type of programming you desire:

- 1 2 3 4 5 6 : 6 programs for the week plus 2 programs for the weekend
- 1 2 3 4 5 : 6 programs from Mon. to Saturday plus 2 programs for Sunday
- 1 2 3 4 5 : 6 programs from Monday to Sunday.

Press the button again quickly and you will have the temperature of the first weekly program () flashing, use the + and - buttons to set the temperature.

If you want to change the start time of the program press the button and you will see the hour digits flashing, use the + and - buttons to set the time. Press the button again and the minute digits will flash, use the + and - buttons to set the program start minutes. Press the button again to return to the temperature.

Press the button quickly to go to the next program and repeat the process until all the programs are defined.

NOTE 1: Daily schedules are sequential, so if the first program has been programmed to start at 10:00 , the second cannot start at 09:00.

NOTE 2: There is no opening and closing of the daily programming period. If you do not want heating for some time, you must set a temperature low enough so that the thermostat does not start.

NOTE 3: During programming, if you do not press any button for 15 seconds, you will exit programming mode.

NOTE 4: When the thermostat is operating in automatic mode, you can manually change the temperature set for that daily period using the + and - buttons. The symbol will flash. Changes made manually while in automatic mode are canceled when is started a new daily period.

» CHILD LOCK

With the thermostat on, press the button for 5 seconds to lock / unlock the thermostat.

VIII - ADVANCED SETTINGS

With the thermostat turned off, keep the button - pressed and press the button to enter the advanced settings menu. Press the button to move to the next settings.

» SEN - PROBE SELECTION

This configuration allows you to choose which probe or probes to use, with 00 being the ambient probe, 01 the floor probe and 02 both probes. The factory setting is 00. Use the + and - buttons to define the probe to be used.

If option 02 is set (both probes in use), the thermostat display in normal operation shows only the temperature of the ambient probe. To check the temperature of the floor probe, keep the button pressed and simultaneously press the button .

» OSV - FLOOR PROBE LIMIT TEMPERATURE

This function allows you to configure the temperature limit of the floor probe. This value defines a safety temperature, from which the thermostat switches off, regardless of its programming.

This setting only takes effect if both probes are being used.

Use the + and - buttons to set the value that can range from 5°C to 99°C. The factory set value is 42°C.

» DIF - TEMPERATURE DIFFERENTIAL ASSOCIATED WITH THE LIMIT OF THE FLOOR PROBE

This function allows you to configure the temperature differential associated with the limit of the floor probe. For example, if you have set a value of 2°C in this option and set 40°C in the previous function, the thermostat will switch off at 42°C and switch on again at 38°C. Use the + and - buttons to set the value that can range from 1°C to 9°C. The factory set value is 2°C.

» SVH - HIGH TEMPERATURE LIMIT FOR ROOM TEMPERATURE

This function allows you to configure the high temperature limit of the ambient probe. The thermostat switches off when the ambient probe reaches this temperature. Use the + and - buttons to set the value that can range from 5°C to 99°C. The factory-set value is 35°C.

» SVL - LOW TEMPERATURE LIMIT FOR ROOM TEMPERATURE

This function allows you to configure the low temperature limit of the ambient probe. The thermostat switches off when the ambient probe reaches this temperature. Use the + and - buttons to set the value that can range from 5°C to 99°C. The factory set value is 5°C.

» ADJ - CORRECTION OF THE AMBIENT PROBE TEMPERATURE

This function allows to correct the temperature of the ambient probe. This correction is applied when the temperature displayed by the room probe is not equal to the actual room temperature (measured with another external device). This can happen due to the installation or position of the thermostat. Use the + and - buttons to set the value. The factory-set value is 0°C.

» FRE - ANTI-FROZEN

This function allows to activate or deactivate the anti-frozen function. With this function active, the thermostat starts automatically when the temperature of the ambient probe is below the low temperature limit defined in the SVL function. A value of 0 means that the function is off and a value of 1 means that the function is on. The factory setting is 0.

» PON - MEMORY FUNCTION IN CASE OF POWER FAILURE

This function allows you to define whether or not the thermostat should memorize its settings in the event of a power failure. A value of 0 means that the function is off and a value of 1 means that the function is on. The factory setting is 0.

» FAC - DEFINIÇÕES DE FÁBRICA

This function allows you to reset all settings and functions to the factory values. Use the + and - buttons to set the value. 00 will reset all values to factory defaults. If you do not want to make changes, select the value 08.

IX - ERROR TABLE

Erro	Cause	Solution
ERR	Floor probe error	Replace floor probe



GLOBOVAC Ltd.

Address: Globovac Ltd, 8C Castle Road, Chelston

Business Park, Wellington, Somerset

TA21 9JQ, United Kingdom

Tel Export: +44 (0) 1293 768 210

Tel UK Costumers: +44 (0) 1293 772 165

Email: globovac@globovac.com

Web: www.globovac.com

